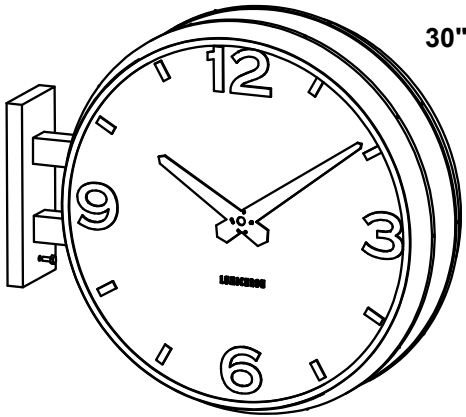


2

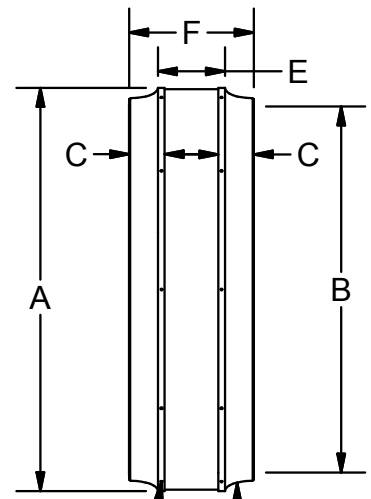
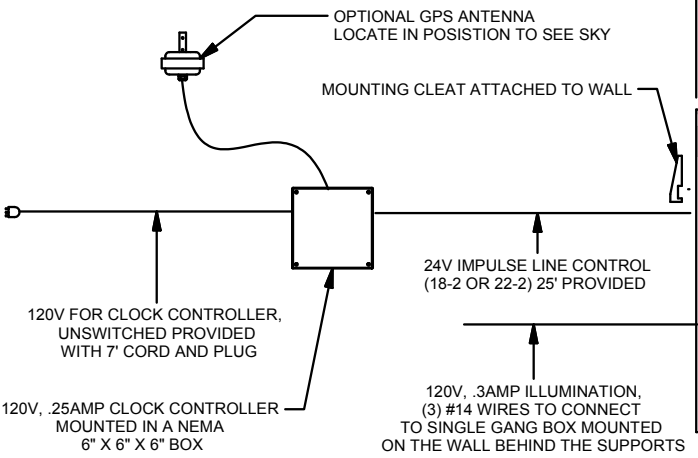
1



FEATURES	24" CLOCK	30" CLOCK	36" CLOCK	42" CLOCK
CASE DIAMETER (A)	24"	2' 6"	3'	3' 6"
CLOCK FACE (B)	21 1/2"	2' 3"	2' 9"	3' 3"
BEZEL DEPTH (C)	2 1/4"	2 3/4"	2 3/4"	2 3/4"
LENGTH (D)	27 3/8"	3'-3 3/8"	3'-9 3/8"	4'-3 3/8"
CASE DEPTH (BACK LITE) (E)	5"	5"	5"	5"
CASE WIDTH (F)	8 1/2"	11"	11"	11"

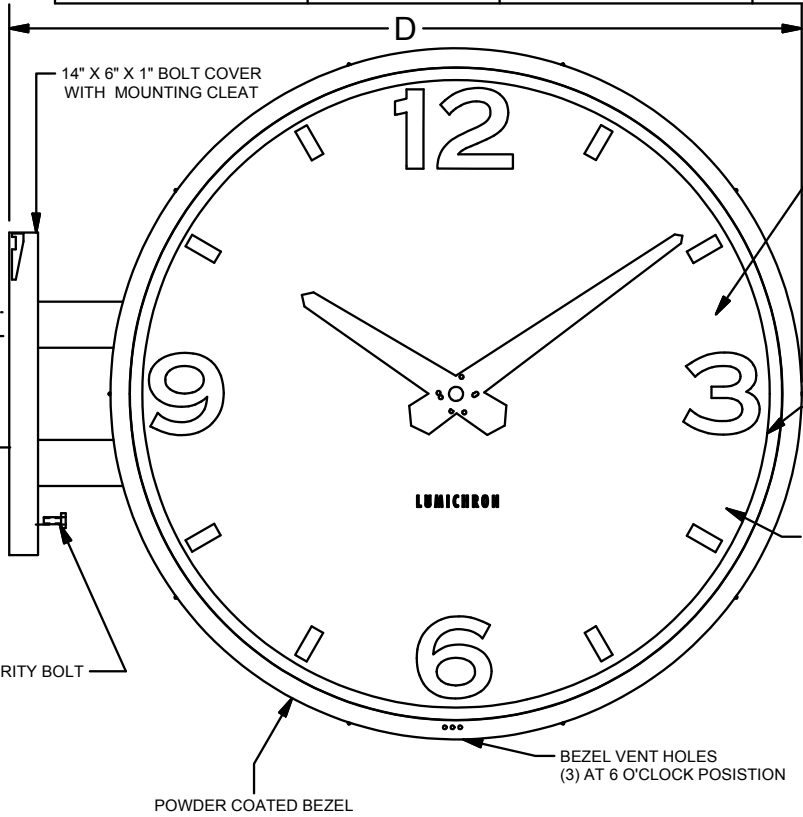
B

B



STAINLESS STEEL FASTNERS THROUGHOUT

POWDER COATED ALUMINUM CASE



LUMICHRON

BRACKET CLOCK

SIZE A	DRAWN TJC	DWG NO BRACKET CLOCK	REV A
SCALE .07	8-22-2012	SHEET 1 OF 1	

2

1

